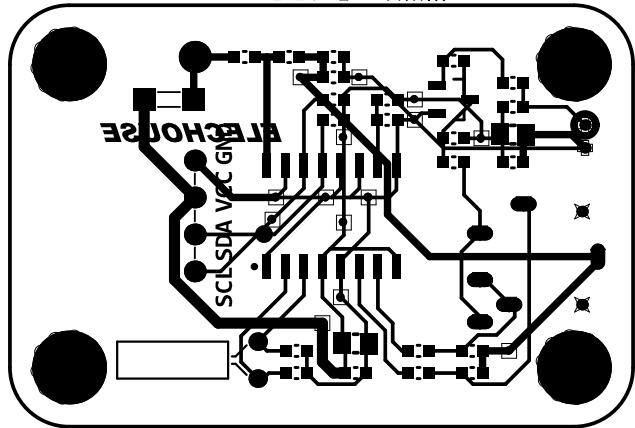


P1	0	1	2
	GND	VCC_3V3	ANT
			SCL
			SDA

←20.828 (mm)→

←42.79975 (mm)→



ALCHORSE

SCL SDA VCC GND

←34.671 (mm)→

←28.956 (mm)→