



LCD2004 Module User Guid

Chapter 1. 2004 LCD Module Blue Characters White Backlight HD44780

1.1 Characters

Display Content: 20CHAR x 4ROW

Char. Dots: 5 x 8

Driving Mode: 1/16D

Available Types:

STN

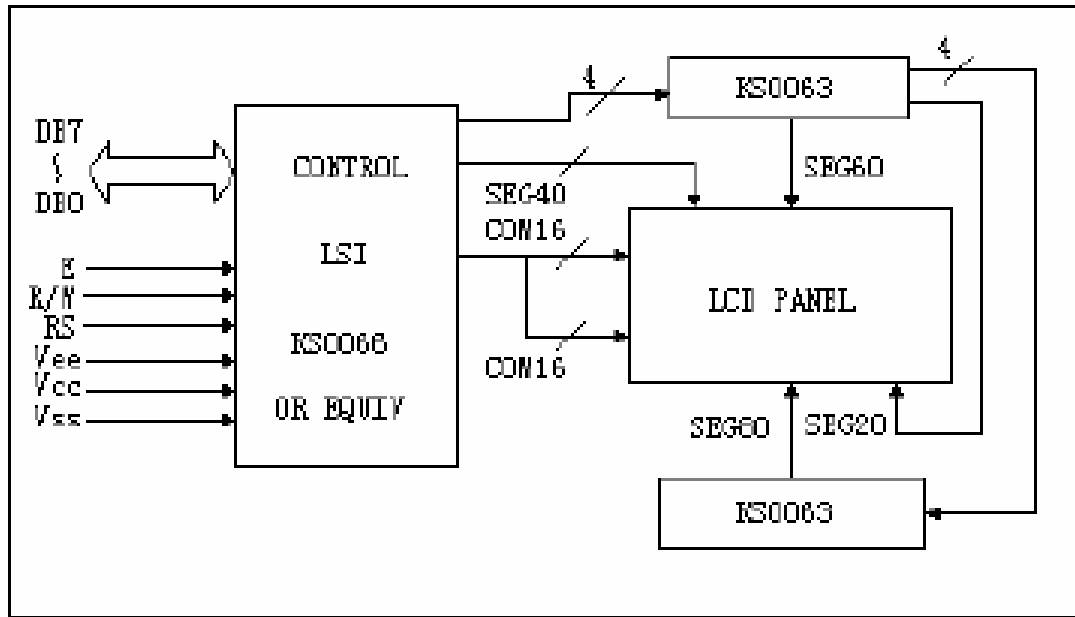
Reflective

1.2 Parameter

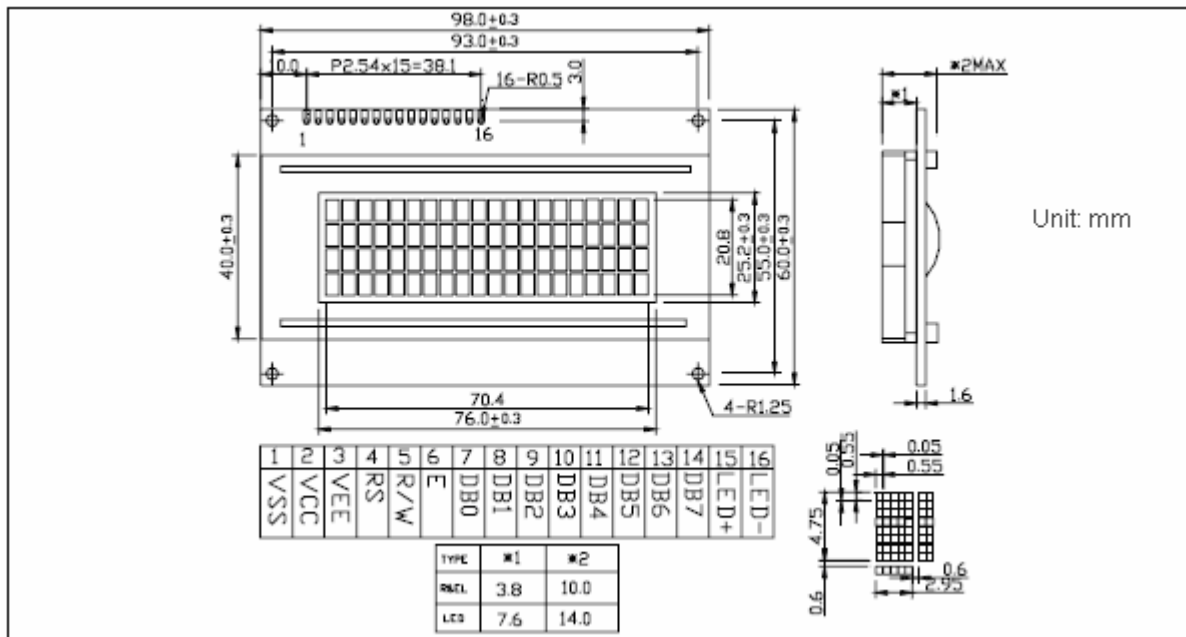
($V_{DD}=5.0V\pm 10\%$, $V_{SS}=0V$, $T_a=25^\circ C$)

Parameter	Symbol	Testing Criteria	Standard Values			Unit
			Min.	Typ.	Max	
Supply voltage	$V_{DD}-V_{SS}$	-	4.5	5.0	5.5	V
Input high voltage	V_{IH}	-	2.2	-	V_{DD}	V
Input low voltage	V_{IL}	-	-0.3	-	0.6	V
Output high voltage	V_{OH}	$-I_{OH}=0.2mA$	2.4	-	-	V
Output low voltage	V_{OL}	$I_{OL}=1.2mA$	-	-	0.4	V
Operating current	I_{DD}	$V_{DD}=5.0V$	-	2.0	5.0	mA

1.3 Application Circuit



1.4 Dimension/ Display Content



Pin configuration

1	2	3	4	5	6	7	8	9	10	11	12	13	14	15	16
V _{SS}	V _{CC}	V _{EE}	RS	R/W	E	DB0	DB1	DB2	DB3	DB4	DB5	DB6	DB7	LED+	LED-